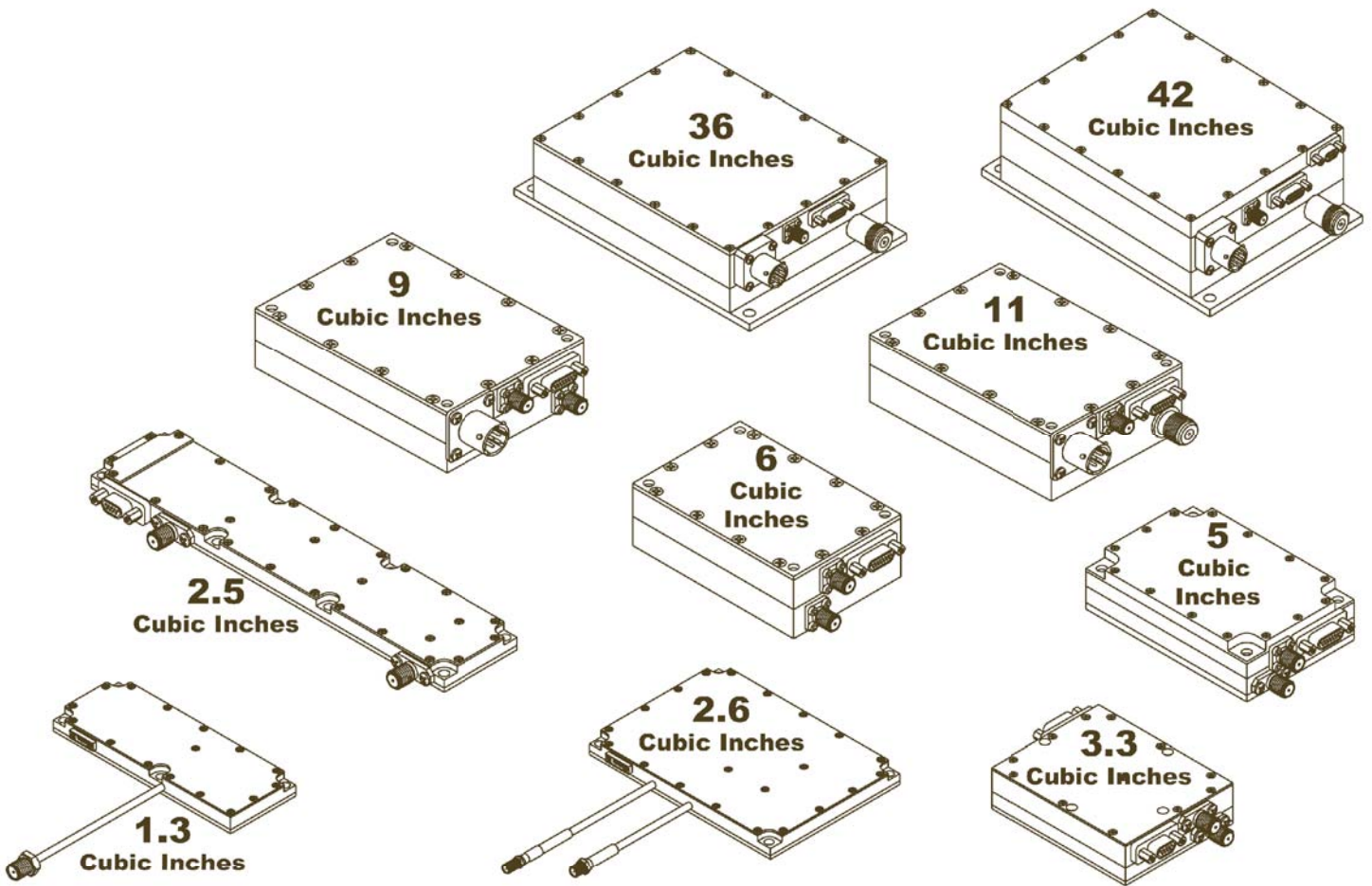


Package Information



2705 Old Highway 40 West
P.O. Box 189
Verdi, Nevada 89439-0189

Phone: (775) 345-2705
Fax: (775) 345-2484
E-mail: info@emhiser.com
Web: www.emhiser.com

1.3 Cubic Inch Transmitter

Emhiser Research, Inc.'s 1.3 cubic inch transmitters are available in single frequency or channelized versions with output power up to 2 Watts and incorporate an internal isolator and harmonic filter. These miniature ruggedized transmitters are ideal for lightweight and space-restricted applications and are qualified on many critical defense programs. Please consult our factory for custom specifications or unique requirements.

Frequency: 1435 to 1540 MHz, Single Frequency or Channelized
1710 to 1850 MHz, Single Frequency or Channelized
2200 to 2299 MHz, Single Frequency or Channelized
2300 to 2399 MHz, Single Frequency or Channelized

Dimensions: 3.4" L x 1.25" W x 0.3" H

Weight: 2 oz. Maximum

Modulation Type: Telemetry, Video, or Digital

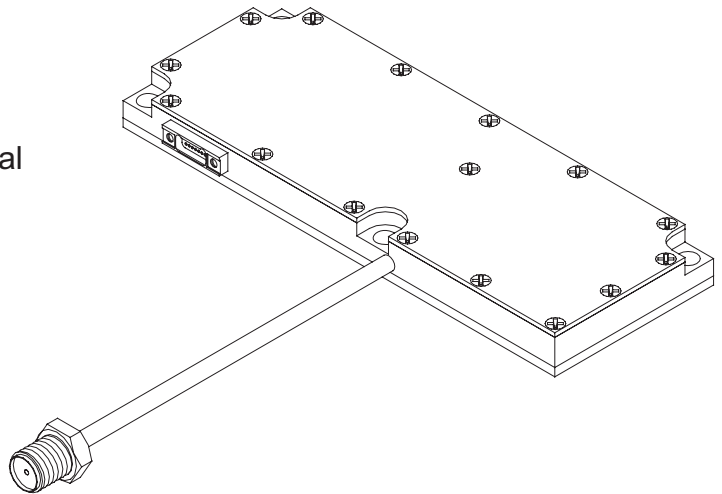
Modulation Coupling: AC coupled

Output Power: 150 mW Minimum
500 mW Minimum
1 Watt Minimum
2 Watts Minimum

Supply Voltage: +12 +4.5/-1.5 Vdc

Current Draw: 200 mA Maximum (150 mW Output Power)
400 mA Maximum (500 mW Output Power)
650 mA Maximum (1 Watt Output Power)
1 Amp Maximum (2 Watts Output Power)

Power Dissipation: 2.3 Watts Maximum at 12 Vdc (150 mW Output Power)
4.3 Watts Maximum at 12 Vdc (500 mW Output Power)
6.8 Watts Maximum at 12 Vdc (1 Watt Output Power)
10 Watts Maximum at 12 Vdc (2 Watts Output Power)



EMHISER RESEARCH, INC.

2705 Old Highway 40 West
P.O. Box 189
Verdi, Nevada 89439-0189

Phone: (775) 345-2705

Fax: (775) 345-2484

E-mail: info@emhiser.com

Web: www.emhiser.com

2.5 Cubic Inch Transmitter

Emhiser Research, Inc.'s 2.5 cubic inch transmitters are the smallest that operate with a +28 Vdc supply. These miniature ruggedized transmitters incorporate an internal isolator and harmonic filter and are available in single frequency or channelized versions with output power up to 5 Watts. Please consult our factory for custom specifications or unique requirements.

Frequency: 1435 to 1540 MHz, Single Frequency or Channelized
1710 to 1850 MHz, Single Frequency or Channelized
2200 to 2299 MHz, Single Frequency or Channelized
2300 to 2399 MHz, Single Frequency or Channelized

Dimensions: 6" L x 1.25" W x 0.36" H

Weight: 2.7 oz. Maximum

Modulation Type: Telemetry, Video, or Digital

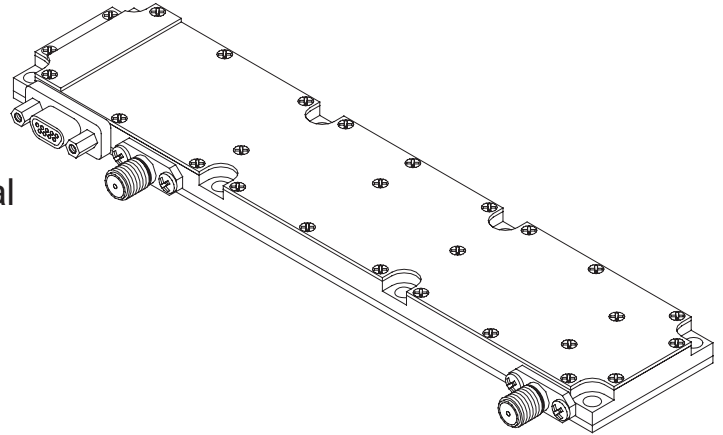
Modulation Coupling: AC coupled

Output Power: 2 Watts Minimum
5 Watts Minimum

Supply Voltage: +28 \pm 4 Vdc

Current Draw: 650 mA Maximum (2 Watts Output Power)
1.2 Amps Maximum (5 Watts Output Power)

Power Dissipation: 16.2 Watts Maximum at 28 Vdc (2 Watts Output Power)
28.6 Watts Maximum at 28 Vdc (5 Watts Output Power)



2705 Old Highway 40 West
P.O. Box 189
Verdi, Nevada 89439-0189

Phone: (775) 345-2705
Fax: (775) 345-2484
E-mail: info@emhiser.com
Web: www.emhiser.com

2.6 Cubic Inch Transmitter

Emhiser Research, Inc.'s 2.6 cubic inch transmitters are the smallest available with a subcarrier. Like the 1.3 cubic inch series these miniature ruggedized transmitters operate with a +12 Vdc supply, incorporate an internal isolator and harmonic filter, and are available in single frequency or channelized versions with output power up to 2 Watts. Please consult our factory for custom specifications or unique requirements.

Frequency: 1435 to 1540 MHz, Single Frequency or Channelized
1710 to 1850 MHz, Single Frequency or Channelized
2200 to 2299 MHz, Single Frequency or Channelized
2300 to 2399 MHz, Single Frequency or Channelized

Dimensions: 3.5" L x 2.5" W x 0.3" H

Weight: 2.8 oz. Maximum

Modulation Type: Video with Optional Subcarrier

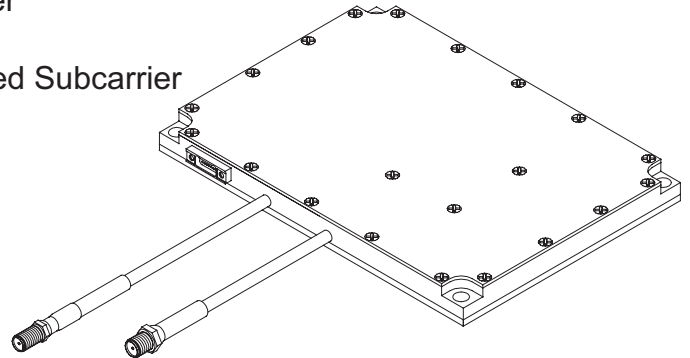
Modulation Coupling: AC coupled Video, DC coupled Subcarrier

Output Power: 150 mW Minimum
500 mW Minimum
1 Watt Minimum
2 Watts Minimum

Supply Voltage: +12 +4.5/-1.5 Vdc

Current Draw: 200 mA Maximum (150 mW Output Power)
400 mA Maximum (500 mW Output Power)
650 mA Maximum (1 Watt Output Power)
1 Amp Maximum (2 Watts Output Power)

Power Dissipation: 2.3 Watts Maximum at 12 Vdc (150 mW Output Power)
4.3 Watts Maximum at 12 Vdc (500 mW Output Power)
6.8 Watts Maximum at 12 Vdc (1 Watt Output Power)
10 Watts Maximum at 12 Vdc (2 Watts Output Power)



EMHISER RESEARCH, INC.

2705 Old Highway 40 West
P.O. Box 189
Verdi, Nevada 89439-0189

Phone: (775) 345-2705

Fax: (775) 345-2484

E-mail: info@emhiser.com

Web: www.emhiser.com

3.3 Cubic Inch Transmitter

Emhiser Research, Inc.'s 3.3 cubic inch transmitters are popular alternates for traditional 5 and 6 cubic inch missile telemetry transmitters in space-restricted applications. These miniature ruggedized transmitters are available in single frequency or channelized versions with output power up to 5 Watts. Please consult our factory for custom specifications or unique requirements.

Frequency: 1435 to 1540 MHz, Single Frequency or Channelized
1710 to 1850 MHz, Single Frequency or Channelized
2200 to 2299 MHz, Single Frequency or Channelized
2300 to 2399 MHz, Single Frequency or Channelized

Dimensions: 2.5" L x 2" W x 0.66" H

Weight: 3.6 oz. Maximum

Modulation Type: Telemetry, Video, or Digital

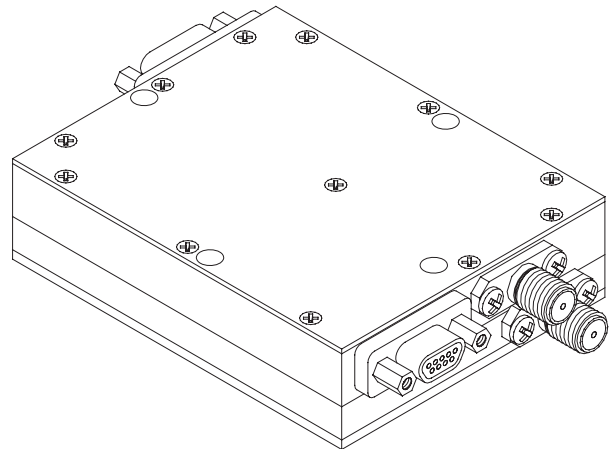
Modulation Coupling: AC coupled

Output Power: 2 Watts Minimum
5 Watts Minimum

Supply Voltage: +28 \pm 4 Vdc

Current Draw: 650 mA Maximum (2 Watts Output Power)
1.2 Amps Maximum (5 Watts Output Power)

Power Dissipation: 16.2 Watts Maximum at 28 Vdc (2 Watts Output Power)
28.6 Watts Maximum at 28 Vdc (5 Watts Output Power)



EMHISER RESEARCH, INC.

2705 Old Highway 40 West
P.O. Box 189
Verdi, Nevada 89439-0189

Phone: (775) 345-2705

Fax: (775) 345-2484

E-mail: info@emhiser.com

Web: www.emhiser.com

5 Cubic Inch Transmitter

Emhiser Research, Inc.'s 5 cubic inch transmitters are a popular choice for space-restricted missile applications. These miniature ruggedized transmitters are available in single frequency or channelized versions. Please consult our factory for custom specifications or unique requirements.

Frequency: 1435 to 1540 MHz, Single Frequency or Channelized
1710 to 1850 MHz, Single Frequency or Channelized
2200 to 2299 MHz, Single Frequency or Channelized
2300 to 2399 MHz, Single Frequency or Channelized

Dimensions: 3" L x 2" W x 0.8" H

Weight: 5.5 oz. Maximum

Modulation Type: Telemetry, Video, or Digital

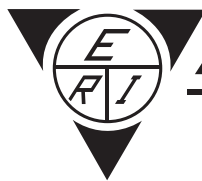
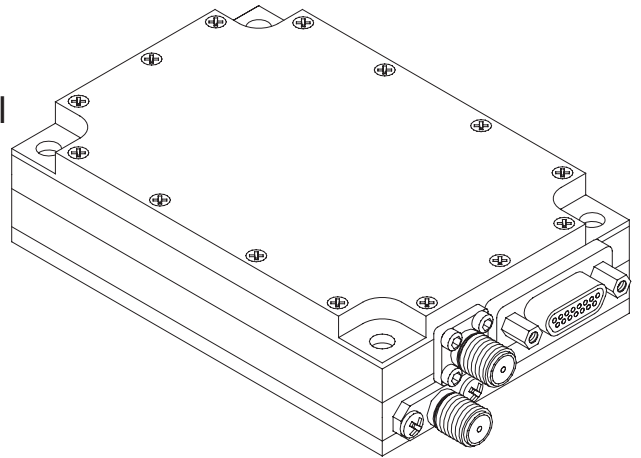
Modulation Coupling: AC coupled

Output Power: 2 Watts Minimum
5 Watts Minimum

Supply Voltage: +28 \pm 4 Vdc

Current Draw: 650 mA Maximum (2 Watts Output Power)
1.2 Amps Maximum (5 Watts Output Power)

Power Dissipation: 16.2 Watts Maximum at 28 Vdc (2 Watts Output Power)
28.6 Watts Maximum at 28 Vdc (5 Watts Output Power)



EMHISER RESEARCH, INC.

2705 Old Highway 40 West
P.O. Box 189
Verdi, Nevada 89439-0189

Phone: (775) 345-2705

Fax: (775) 345-2484

E-mail: info@emhiser.com

Web: www.emhiser.com

6 Cubic Inch Transmitter

Emhiser Research, Inc.'s 6 cubic inch transmitters are the traditional choice for missile applications and are qualified on many critical defense programs. These time-tested and proven transmitters are available in single frequency or channelized versions. Please consult our factory for custom specifications or unique requirements.

Frequency: 1435 to 1540 MHz, Single Frequency or Channelized
1710 to 1850 MHz, Single Frequency or Channelized
2200 to 2299 MHz, Single Frequency or Channelized
2300 to 2399 MHz, Single Frequency or Channelized

Dimensions: 3" L x 2" W x 1" H

Weight: 9 oz. Maximum

Modulation Type: Telemetry
Video
Digital

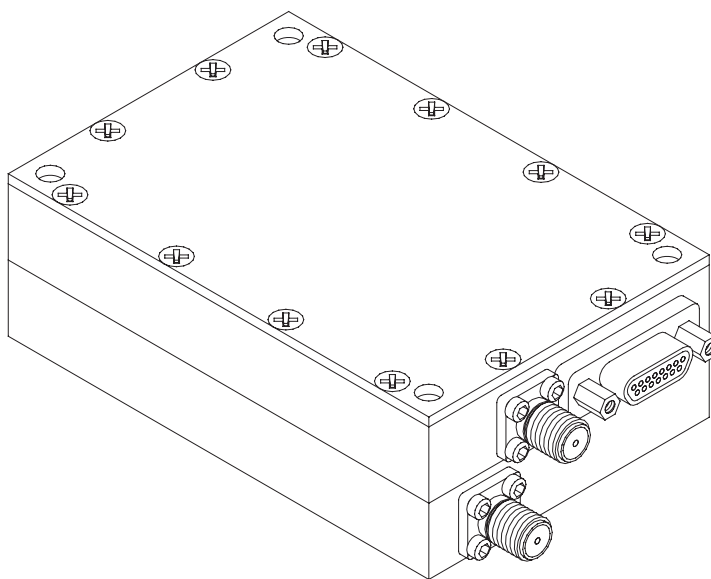
Modulation Coupling: AC coupled

Output Power: 2 Watts Minimum
5 Watts Minimum

Supply Voltage: +28 \pm 4 Vdc

Current Draw: 650 mA Maximum (2 Watts Output Power)
1.2 Amps Maximum (5 Watts Output Power)

Power Dissipation: 16.2 Watts Maximum at 28 Vdc (2 Watts Output Power)
28.6 Watts Maximum at 28 Vdc (5 Watts Output Power)



EMHISER RESEARCH, INC.

2705 Old Highway 40 West
P.O. Box 189
Verdi, Nevada 89439-0189

Phone: (775) 345-2705

Fax: (775) 345-2484

E-mail: info@emhiser.com

Web: www.emhiser.com

9 Cubic Inch Transmitter

Emhiser Research, Inc.'s 9 cubic inch transmitters are available in single frequency or channelized versions, AC or DC modulation coupling, and up to 20 W output power. Ultra High Efficiency (UHE) power amplifiers are available in the S-band 9 cubic inch 5 Watt transmitter design. Our patented UHE technology approximately doubles the efficiency of the transmitter resulting in half the current draw of conventional designs. This enhancement significantly reduces the power dissipation of the transmitter and enables more link margin in battery-restricted applications. Please consult our factory for custom specifications or unique requirements.

Frequency: 1435 to 1540 MHz, Single Frequency or Channelized
1710 to 1850 MHz, Single Frequency or Channelized
2200 to 2299 MHz, Single Frequency or Channelized
2300 to 2399 MHz, Single Frequency or Channelized
2200 to 2399 MHz Channelized

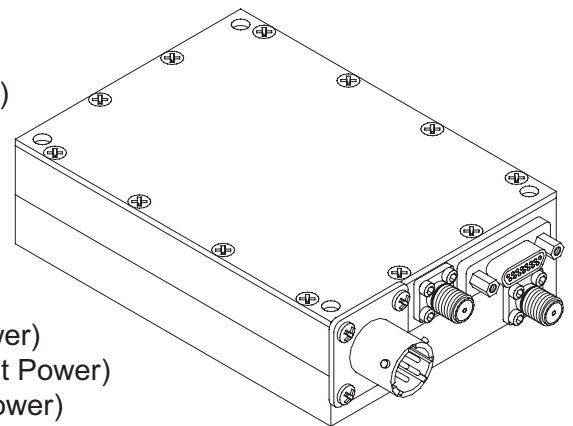
Dimensions: 3.5" L x 2.5" W x 1.0" H
Weight: 12 oz. Maximum
Modulation Type: Telemetry, Video (subcarrier optional), or Digital
Modulation Coupling: AC or DC coupled

Output Power: 2 Watts Minimum
5 Watts Minimum (Ultra High Efficiency)
5 Watts Minimum
10 Watts Minimum
20 Watts Minimum

Supply Voltage: +28 \pm 4 Vdc

Current Draw: 650 mA Maximum (2 Watts Output Power)
800 mA Maximum (5 Watts UHE Output Power)
1.2 Amps Maximum (5 Watts Output Power)
2.0 Amps Maximum (10 Watt Output Power)
4.0 Amps Maximum (20 Watts Output Power)

Power Dissipation: 6.2 Watts Maximum at 28 Vdc (2 Watts Output Power)
17.4 Watts Maximum at 28 Vdc (5 Watts UHE Output Power)
28.6 Watts Maximum at 28 Vdc (5 Watts Output Power)
46 Watts Maximum at 28 Vdc (10 Watt Output Power)
92 Watts Maximum at 28 Vdc (20 Watts Output Power)



EMHISER RESEARCH, INC.

2705 Old Highway 40 West
P.O. Box 189
Verdi, Nevada 89439-0189

Phone: (775) 345-2705

Fax: (775) 345-2484

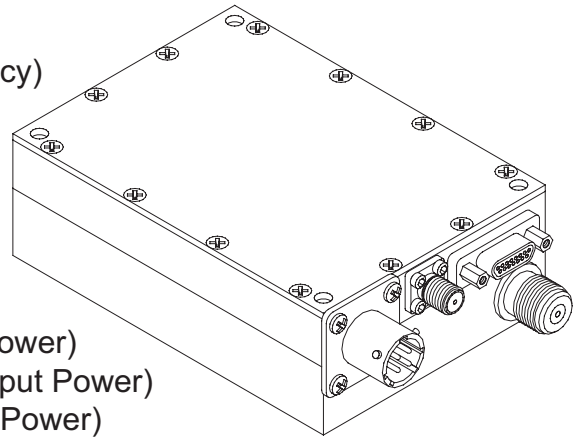
E-mail: info@emhiser.com

Web: www.emhiser.com

11 Cubic Inch Transmitter

Emhiser Research, Inc.'s 11 cubic inch transmitters are available in all the same configurations with all the same options as our 9 cubic inch series. The 11 cubic inch package is a popular alternate for the 9 cubic inch package in high power applications due to the increased thickness of the transmitter baseplate. This package also accommodates TNC or Type-N RF output connectors. Please consult our factory for custom specifications or unique requirements.

Frequency:	1435 to 1540 MHz, Single Frequency or Channelized 1710 to 1850 MHz, Single Frequency or Channelized 2200 to 2299 MHz, Single Frequency or Channelized 2300 to 2399 MHz, Single Frequency or Channelized 2200 to 2399 MHz Channelized
Dimensions:	3.5" L x 2.5" W x 1.31" H
Weight:	14 oz. Maximum
Modulation	Type: Telemetry, Video (subcarrier optional), or Digital (multi-bit rate optional)
Modulation Coupling:	AC or DC coupled
Output Power:	2 Watts Minimum 5 Watts Minimum (Ultra High Efficiency) 5 Watts Minimum 10 Watts Minimum 20 Watts Minimum
Supply Voltage:	+28 \pm 4 Vdc
Current Draw:	650 mA Maximum (2 Watts Output Power) 800 mA Maximum (5 Watts UHE Output Power) 1.2 Amps Maximum (5 Watts Output Power) 2.0 Amps Maximum (10 Watt Output Power) 4.0 Amps Maximum (20 Watts Output Power)
Power Dissipation:	16.2 Watts Maximum at 28 Vdc (2 Watts Output Power) 17.4 Watts Maximum at 28 Vdc (5 Watts UHE Output Power) 28.6 Watts Maximum at 28 Vdc (5 Watts Output Power) 46 Watts Maximum at 28 Vdc (10 Watt Output Power) 92 Watts Maximum at 28 Vdc (20 Watts Output Power)



2705 Old Highway 40 West
P.O. Box 189
Verdi, Nevada 89439-0189

Phone: (775) 345-2705

Fax: (775) 345-2484

E-mail: info@emhiser.com

Web: www.emhiser.com

36 Cubic Inch Transmitter

Emhiser Research, Inc.'s 36 cubic inch transmitters are designed for high power applications with output power up to 40 Watts. These transmitters are available in a wide variety of configurations and with AC or DC modulation coupling. Please consult our factory for custom specifications or unique requirements.

Frequency: 1435 to 1540 MHz, Single Frequency or Channelized
1710 to 1850 MHz, Single Frequency or Channelized
2200 to 2299 MHz, Single Frequency or Channelized
2300 to 2399 MHz, Single Frequency or Channelized

Dimensions: 6.0" L x 4.0" W x 1.5" H

Weight: 28 oz. Maximum

Modulation Type: Telemetry
Video (subcarrier optional)
Digital

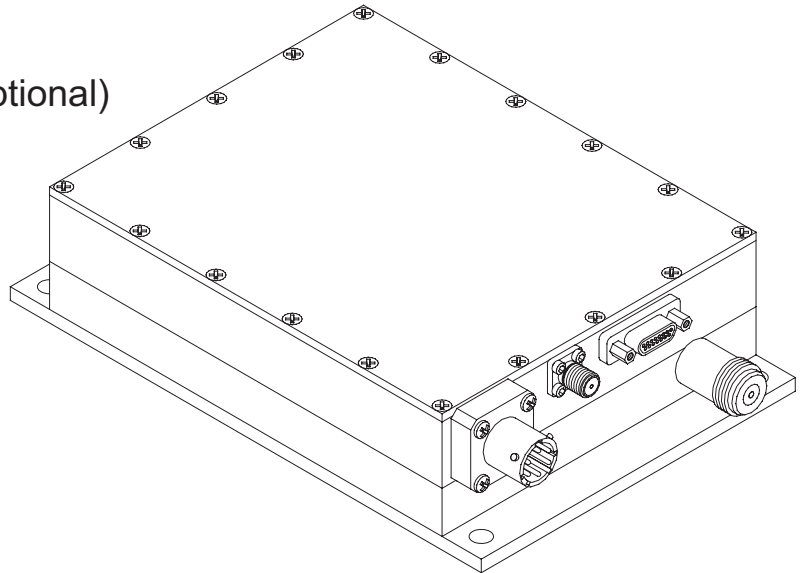
Modulation Coupling: AC or DC coupled

Output Power: 40 Watts Minimum

Supply Voltage: +28 \pm 4 Vdc

Current Draw: 8.0 Amps Maximum

Power Dissipation: 184 Watts Maximum at 28 Vdc



EMHISER RESEARCH, INC.

2705 Old Highway 40 West
P.O. Box 189
Verdi, Nevada 89439-0189

Phone: (775) 345-2705

Fax: (775) 345-2484

E-mail: info@emhiser.com

Web: www.emhiser.com

42 Cubic Inch Transmitter

Emhiser Research, Inc.'s 42 cubic inch transmitters are available in all the same configurations with all the same options as the 36 cubic inch series with the additional option of multi-bit rate for digital applications. Please consult our factory for custom specifications or unique requirements.

Frequency: 1435 to 1540 MHz, Single Frequency or Channelized
1710 to 1850 MHz, Single Frequency or Channelized
2200 to 2299 MHz, Single Frequency or Channelized
2300 to 2399 MHz, Single Frequency or Channelized

Dimensions: 6.0"L x 4.0"W x 1.75"H

Weight: 34 oz. Maximum

Modulation Type: Telemetry
Video (subcarrier optional)
Digital (multi-bit rate optional)

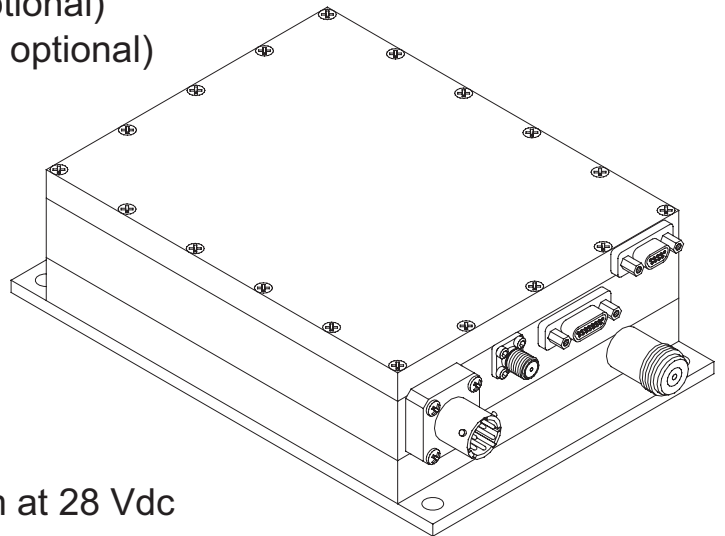
Modulation Coupling: AC or DC coupled

Output Power: 40 Watts Minimum

Supply Voltage: +28 \pm 4 Vdc

Current Draw: 8.0 Amps Maximum

Power Dissipation: 184 Watts Maximum at 28 Vdc



EMHISER RESEARCH, INC.

2705 Old Highway 40 West
P.O. Box 189
Verdi, Nevada 89439-0189

Phone: (775) 345-2705

Fax: (775) 345-2484

E-mail: info@emhiser.com

Web: www.emhiser.com