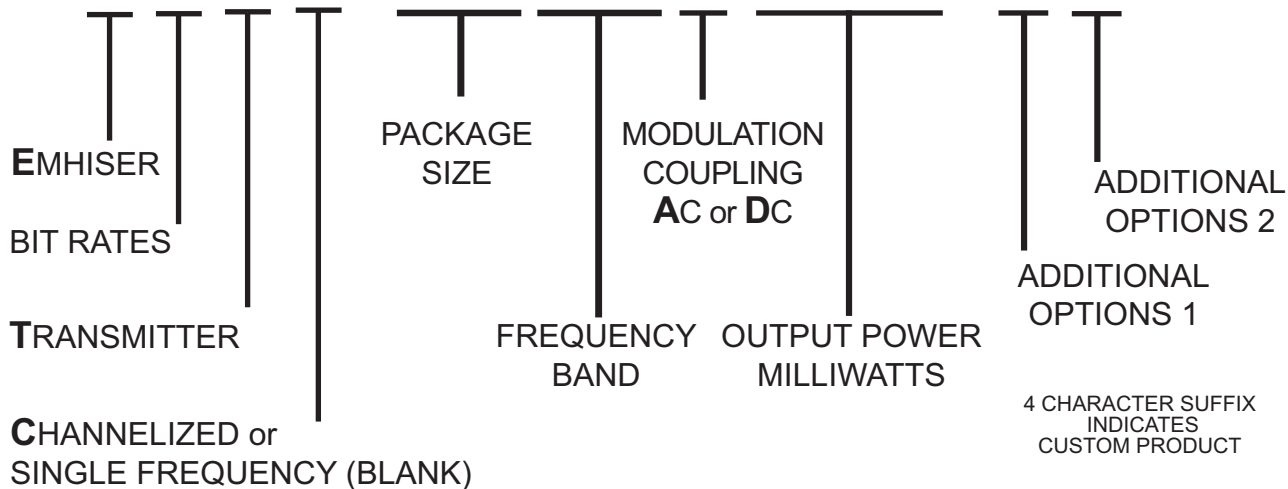




# Emhiser Digital Transmitter

## Model Number Breakdown

**EDTC-09E1A502-00**



### Frequency Band

Code	Frequency Range
D1	1435.5 to 1539.5 MHz
D2	1710.0 to 1850.0 MHz
E1	2200.5 to 2299.5 MHz
E2	2300.5 to 2399.5 MHz
EB	2200.5 to 2399.5 MHz
G1	4400.0 to 5000.0 MHz

### Package Size

Code	L	W	H
01	3.4"	1.25"	0.3"
02	3.5"	2.5"	0.3"
L3	6.0"	1.25"	0.36"
S3	2.5"	2.0"	0.66"
05	3.0"	2.0"	0.8"
06	3.0"	2.0"	1.0"
09	3.5"	2.5"	1.0"
11	3.5"	2.5"	1.31"
36	6.0"	4.0"	1.5"

### Bit Rates

Code	Type
D	Single Bit Rate
M	Multiple Bit Rates

### Output Power

Code	Power
151	150 mW
502	5 W
203	20 W
etc...	

A letter U substituted for the second digit of the output power indicates Ultra High Efficiency. For example, 5U2 indicates 5 Watt Ultra High Efficiency.

### Additional Options 1

Code	Option
8	Extended Temperature to +85 C
4	Extended Temperature to -40 C
0	No Options

### Additional Options 2

Code	Option
1	RS422 Input
0	TTL Input

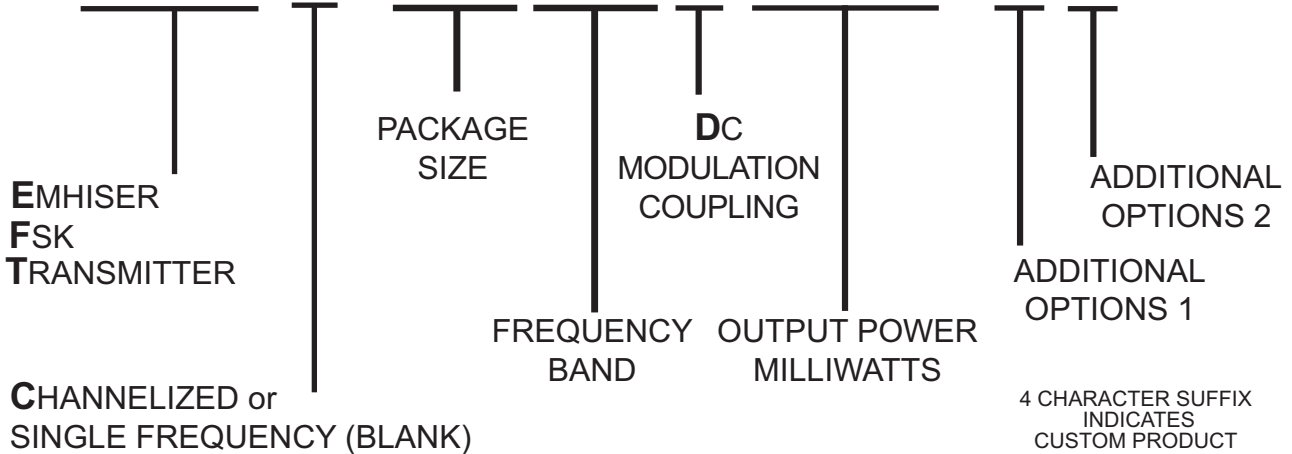
Multiple options are indicated with a sum of the codes. For example, the suffix for a transmitter with Extended Temperature to both +85 C° and -40 C° will be -C0



# Emhiser FSK Transmitter

## Model Number Breakdown

**E F T C - 0 9 E 1 D 5 0 2 - 0 0**



### Package Size

Code	L	W	H
09	3.5"	2.5"	1.0"
11	3.5"	2.5"	1.31"
36	6.0"	4.0"	1.5"

### Output Power

Code	Power
151	150 mW
502	5 W
203	20 W
etc...	

### Additional Options 1

Code	Option
8	Extended Temperature to +85°C
4	Extended Temperature to -40°C
0	No Options

### Frequency Band

Code	Frequency Range
D1	1435.5 to 1539.5 MHz
D2	1710.0 to 1850.0 MHz
E1	2200.5 to 2299.5 MHz
E2	2300.5 to 2399.5 MHz
EB	2200.5 to 2399.5 MHz
G1	4400.0 to 5000.0 MHz

A letter U substituted for the second digit of the output power indicates Ultra High Efficiency. For example, 5U2 indicates 5 Watt Ultra High Efficiency.

### Additional Options 2

Code	Option
0	No Options

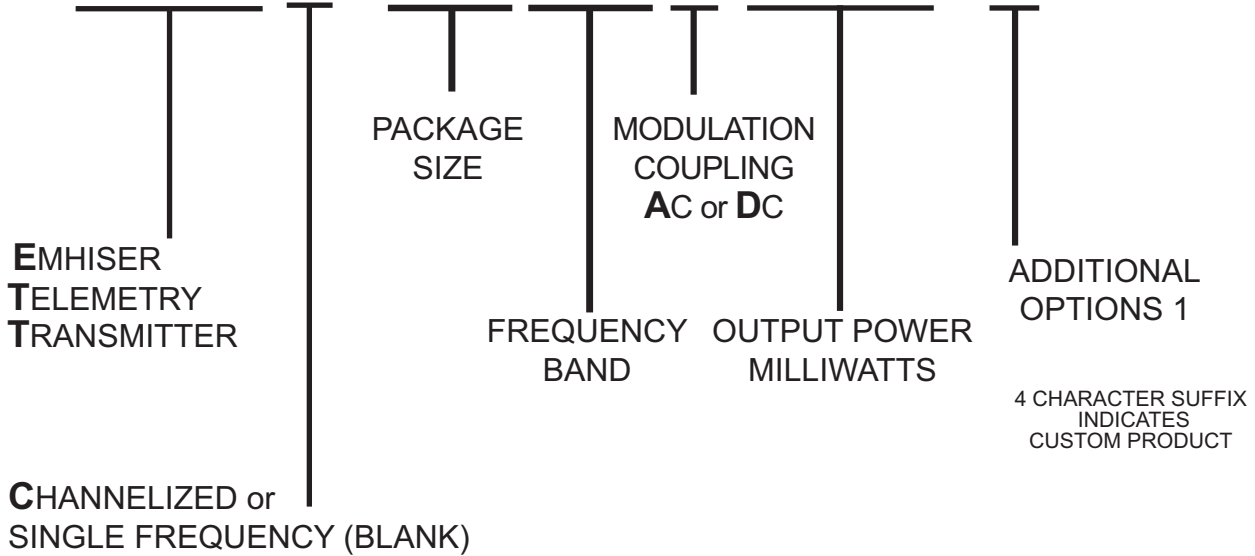
Multiple options are indicated with a sum of the codes. For example, the suffix for a transmitter with Extended Temperature to both +85°C and -40°C will be -C0



# Emhiser Telemetry Transmitter

## Model Number Breakdown

### ETTC-09E1A502-00



#### Package Size

Code	L	W	H
01	3.4"	1.25"	0.3"
02	3.5"	2.5"	0.3"
L3	6.0"	1.25"	0.36"
S3	2.5"	2.0"	0.66"
05	3.0"	2.0"	0.8"
06	3.0"	2.0"	1.0"
09	3.5"	2.5"	1.0"
11	3.5"	2.5"	1.31"
36	6.0"	4.0"	1.5"

#### Output Power

Code	Power
151	150 mW
502	5 W
203	20 W
etc...	

#### Additional Options 1

Code	Option
8	Extended Temperature to +85°C
4	Extended Temperature to -40°C
0	No Options

#### Frequency Band

Code	Frequency Range
D1	1435.5 to 1539.5 MHz
D2	1710.0 to 1850.0 MHz
E1	2200.5 to 2299.5 MHz
E2	2300.5 to 2399.5 MHz
EB	2200.5 to 2399.5 MHz
G1	4400.0 to 5000.0 MHz

A letter U substituted for the second digit of the output power indicates Ultra High Efficiency. For example, 5U2 indicates 5 Watt Ultra High Efficiency.

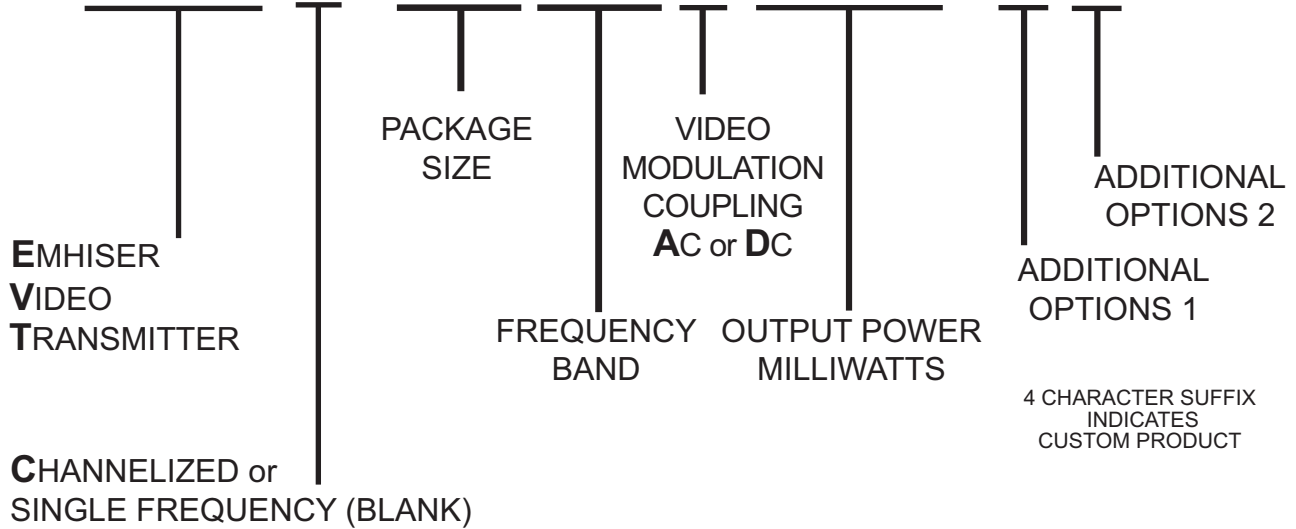
Multiple options are indicated with a sum of the codes. For example, the suffix for a transmitter with Extended Temperature to both +85°C and -40°C will be -C0



# Emhiser Video Transmitter

## Model Number Breakdown

### E V T C - 0 9 E 1 A 5 0 2 - 0 0



#### Package Size

Code	L	W	H
01	3.4"	1.25"	0.3"
02	3.5"	2.5"	0.3"
L3	6.0"	1.25"	0.36"
S3	2.5"	2.0"	0.66"
05	3.0"	2.0"	0.8"
06	3.0"	2.0"	1.0"
09	3.5"	2.5"	1.0"
11	3.5"	2.5"	1.31"
36	6.0"	4.0"	1.5"

#### Frequency Band

Code	Frequency Range
D1	1435.0 to 1540.0 MHz
D2	1710.0 to 1850.0 MHz
E1	2200.0 to 2299.0 MHz
E2	2300.0 to 2400.0 MHz
EB	2200.0 to 2400.0 MHz
G1	4400.0 to 5000.0 MHz

#### Output Power

Code	Power
151	150 mW
502	5 W
203	20 W
etc...	

A letter U substituted for the second digit of the output power indicates Ultra High Efficiency. For example, 5U2 indicates 5 Watt Ultra High Efficiency.

#### Additional Options 1

Code	Option
8	Extended Temperature to +85°C
4	Extended Temperature to -40°C
0	No Options

#### Additional Options 2

Code	Option
4	Pre-Emphasis
2	Two Subcarriers
1	One Subcarrier
0	No Options

Multiple options are indicated with the binary sum of the codes. For example, the suffix for a transmitter with Pre-emphasis and one Subcarrier will be -05.



# Emhiser Digital Receiver

## Model Number Breakdown

**E D R C - 0 9 E 1 A - 0 0**



EMHISER  
DIGITAL  
RECEIVER

PACKAGE  
SIZE

MODULATION  
COUPLING  
AC or DC

ADDITIONAL  
OPTIONS 2

CHANNELIZED or  
SINGLE FREQUENCY (BLANK)

FREQUENCY  
BAND

ADDITIONAL  
OPTIONS 1

4 CHARACTER SUFFIX  
INDICATES  
CUSTOM PRODUCT

### Package Size

Code	L	W	H
09	3.5"	2.5"	1.0"
	for Bit Rates 2MB and Up		
11	3.5"	2.5"	1.31"
	for Bit Rates Below 2MB		

### Additional Options 1

Code	Option
8	Extended Temperature to +85°C
4	Extended Temperature to -40°C
2	Signal Strength
0	No Options

### Frequency Band

Code	Frequency Range
D1	1435.5 to 1539.5 MHz
D2	1710.0 to 1850.0 MHz
E1	2200.5 to 2299.5 MHz
E2	2300.5 to 2399.5 MHz

### Additional Options 2

Code	Option
0	No Options

Multiple options are indicated with a sum of the codes. For example, the suffix for a receiver with Extended Temperature to +85°C and Signal Strength will be -A0



# Emhiser FSK Receiver

## Model Number Breakdown

**E F R C - 1 1 E 1 A - 0 0**



EMHISER  
FSK  
RECEIVER

PACKAGE  
SIZE

MODULATION  
COUPLING  
AC or DC

ADDITIONAL  
OPTIONS 2

CHANNELIZED or  
SINGLE FREQUENCY (BLANK)

FREQUENCY  
BAND

ADDITIONAL  
OPTIONS 1

4 CHARACTER SUFFIX  
INDICATES  
CUSTOM PRODUCT

### Package Size

Code	L	W	H
11	3.5"	2.5"	1.31"

### Frequency Band

Code	Frequency Range
D1	1435.5 to 1539.5 MHz
D2	1710.0 to 1850.0 MHz
E1	2200.5 to 2299.5 MHz
E2	2300.5 to 2399.5 MHz

Multiple options are indicated with a sum of the codes. For example, the suffix for a receiver with Signal Strength and Extended Temperature to +85 C will be -A0.

### Additional Options 1

Code	Option
8	Extended Temperature to +85°C
4	Extended Temperature to -40°C
2	Signal Strength
0	No Options

### Additional Options 2

Code	Option
0	No Options



# Emhiser Telemetry Receiver

## Model Number Breakdown

**ETRC-09E1A-00**



EMHISER  
TELEMETRY  
RECEIVER

PACKAGE  
SIZE

MODULATION  
COUPLING  
AC or DC

ADDITIONAL  
OPTIONS 2

CHANNELIZED or  
SINGLE FREQUENCY (BLANK)

FREQUENCY  
BAND

ADDITIONAL  
OPTIONS 1

4 CHARACTER SUFFIX  
INDICATES  
CUSTOM PRODUCT

### Package Size

Code	L	W	H
09	3.5"	2.5"	1"

Multiple options are indicated with a sum of the codes. For example, the suffix for a receiver with Extended

Temperature to +85 C and Signal Strength will be -A0

### Additional Options 1

Code	Option
8	Extended Temperature to +85°C
4	Extended Temperature to -40°C
2	Signal Strength
0	No Options

### Frequency Band

Code	Frequency Range
D1	1435.5 to 1539.5 MHz
D2	1710.0 to 1850.0 MHz
E1	2200.5 to 2299.5 MHz
E2	2300.5 to 2399.5 MHz

### Additional Options 2

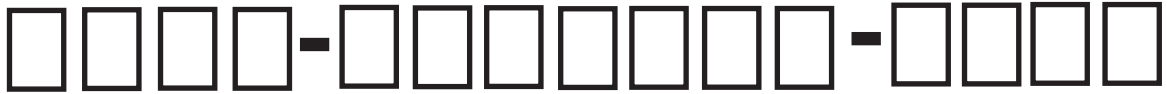
Code	Option
0	No Options



# Emhiser Video Receiver

## Model Number Breakdown

**E V R C - 0 9 E 1 A A A - 0 0**



EMHISER  
VIDEO  
RECEIVER

PACKAGE  
SIZE

FREQUENCY  
BAND

ADDITIONAL  
OPTIONS 2

ADDITIONAL  
OPTIONS 1

4 CHARACTER SUFFIX  
INDICATES  
CUSTOM PRODUCT

CHANNELIZED or  
SINGLE FREQUENCY (BLANK)

2ND SUBCARRIER  
DEMODULATOR  
COUPLING

VIDEO  
DEMODULATOR  
COUPLING  
AC or DC

1ST SUBCARRIER  
DEMODULATOR  
COUPLING

### Package Size

Code	L	W	H
09	3.5"	2.5"	1.0"
11	3.5"	2.5"	1.31"

### Subcarrier Demodulator Coupling

Code	Option
A	AC Coupling
D	DC Coupling
blank	No Subcarrier Demodulator

### Additional Options 1

Code	Option
8	Extended Temperature to +85°C
4	Extended Temperature to -40°C
2	Signal Strength
0	No Options

### Frequency Band

Code	Frequency Range
D1	1435.0 to 1540.0 MHz
D2	1710.0 to 1850.0 MHz
E1	2200.0 to 2299.0 MHz
E2	2300.0 to 2400.0 MHz

Multiple options are indicated with a sum of the codes. For example, the suffix for a receiver with De-emphasis and one Subcarrier Demodulator will be -05.

### Additional Options 2

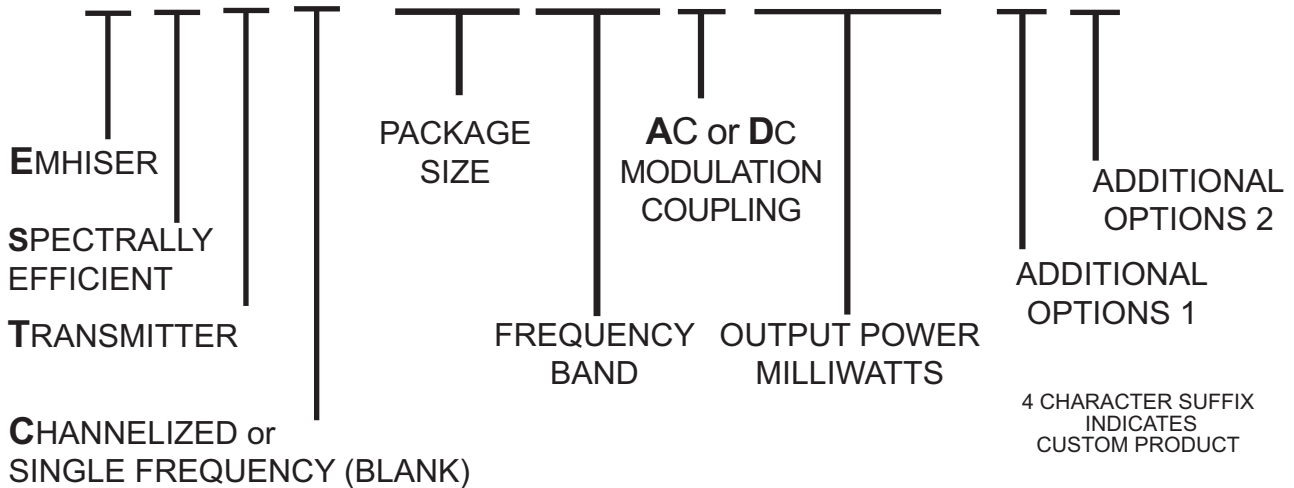
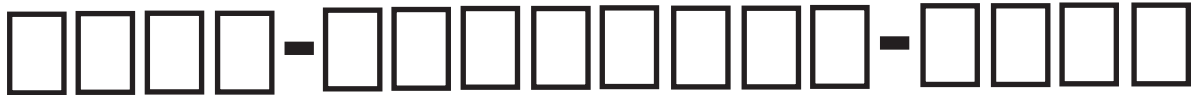
Code	Option
4	De-Emphasis
2	Two Subcarrier Demodulators
1	One Subcarrier Demodulator
0	No Options



# Emhiser Multi-Mode Spectrally Efficient Transmitter

## Model Number Breakdown

**E S T C - 0 6 E 1 D 5 0 2 - 0 0**



### Frequency Band

Code	Frequency Range
D1	1435.5 to 1539.5 MHz
D2	1710.0 to 1850.0 MHz
E1	2200.5 to 2299.5 MHz
E2	2310.5 to 2389.5 MHz
EB	2200.5 to 2389.5 MHz

### Output Power

Code	Power
502	5 W
203	20 W
etc...	

### Additional Options 1

Code	Option
8	Extended Temperature to +85 C
4	Extended Temperature to -40 C
2	Clock-Free Interface
1	Forward Error Correction
0	No Options

### Package Size

Code	L	W	H
06	3.0"	2.0"	1.0"
11	3.5"	2.5"	1.31"

Multiple options are indicated with a sum of the codes. For example, the suffix for a transmitter with Extended Temp. to both +85 C and -40 C, all three modulation modes, and TTL Input will be -CE.

### Additional Options 2

Code	Option
8	Multi-H CPM
4	SOQPSK
2	PCM-FM
1	RS422 Input
0	TTL Input

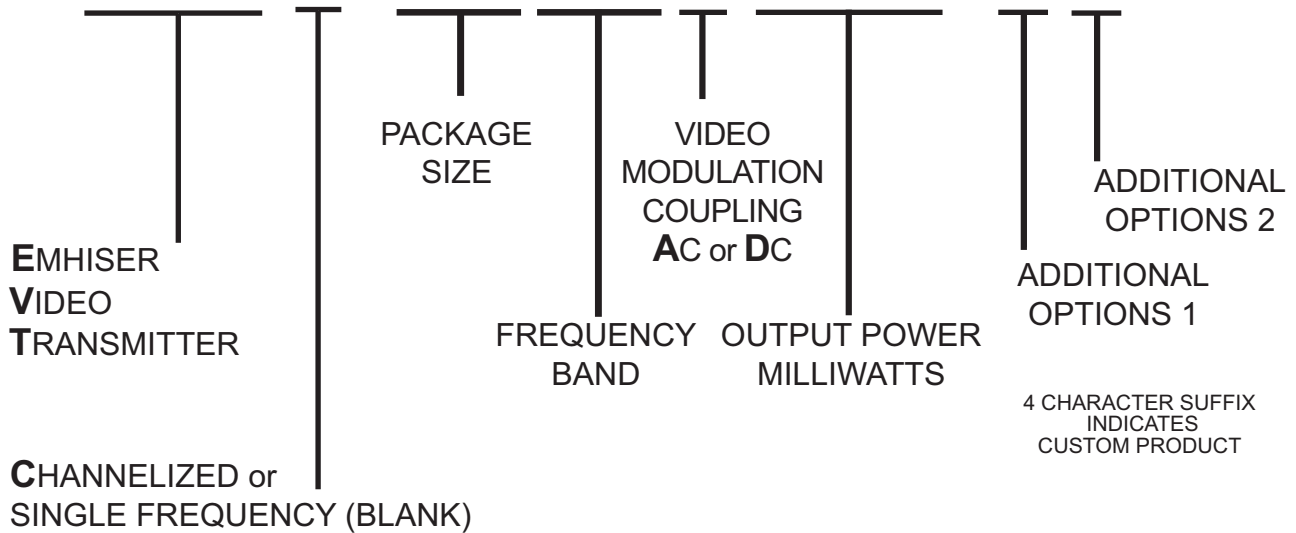
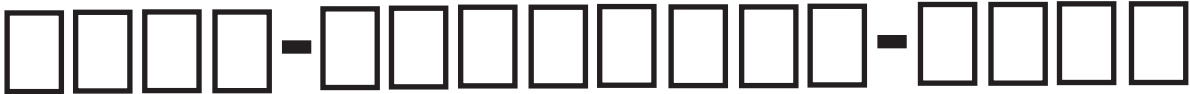


# Emhiser

## Surveillance Transmitter

### Model Number Breakdown

**E V T C - 0 2 E 9 A 2 0 2 - 0 0**



**Package Size**

Code	L	W	H
01	3.4"	1.25"	0.3"
02	3.5"	2.5"	0.3"

**Frequency Band**

Code	Frequency Range
E9	2450.0 to 2483.5 MHz

**Output Power**

Code	Power
151	150 mW
102	1 W
502	5 W
etc...	

Multiple options are indicated with the binary sum of the codes. For example, the suffix for a transmitter with Pre-emphasis and one Subcarrier will be -05.

**Additional Options 1**

Code	Option
8	Switched Inverter
4	Inverted Video
2	Signal Strength
0	No Options

**Additional Options 2**

Code	Option
4	Pre-Emphasis
1	Audio Subcarrier
0	No Options



# Emhiser

## Surveillance Receiver

### Model Number Breakdown

**E V R C - 0 9 E 9 A - 0 0**



EMHISER  
VIDEO  
RECEIVER

CHANNELIZED or  
SINGLE FREQUENCY (BLANK)

PACKAGE  
SIZE

FREQUENCY  
BAND

VIDEO  
DEMODULATOR  
COUPLING  
AC or DC

ADDITIONAL  
OPTIONS 2

ADDITIONAL  
OPTIONS 1

4 CHARACTER SUFFIX  
INDICATES  
CUSTOM PRODUCT

#### Package Size

Code	L	W	H
09	3.5"	2.5"	1.0"
11	3.5"	2.5"	1.31"

Multiple options are indicated with a sum of the codes. For example, the suffix for a receiver with De-emphasis and one Subcarrier Demodulator will be -05.

#### Additional Options 1

Code	Option
8	Switched Inverter
4	Inverted Video
2	Signal Strength
0	No Options

#### Frequency Band

Code	Frequency Range
E9	2450.0 to 2483.5 MHz

#### Additional Options 2

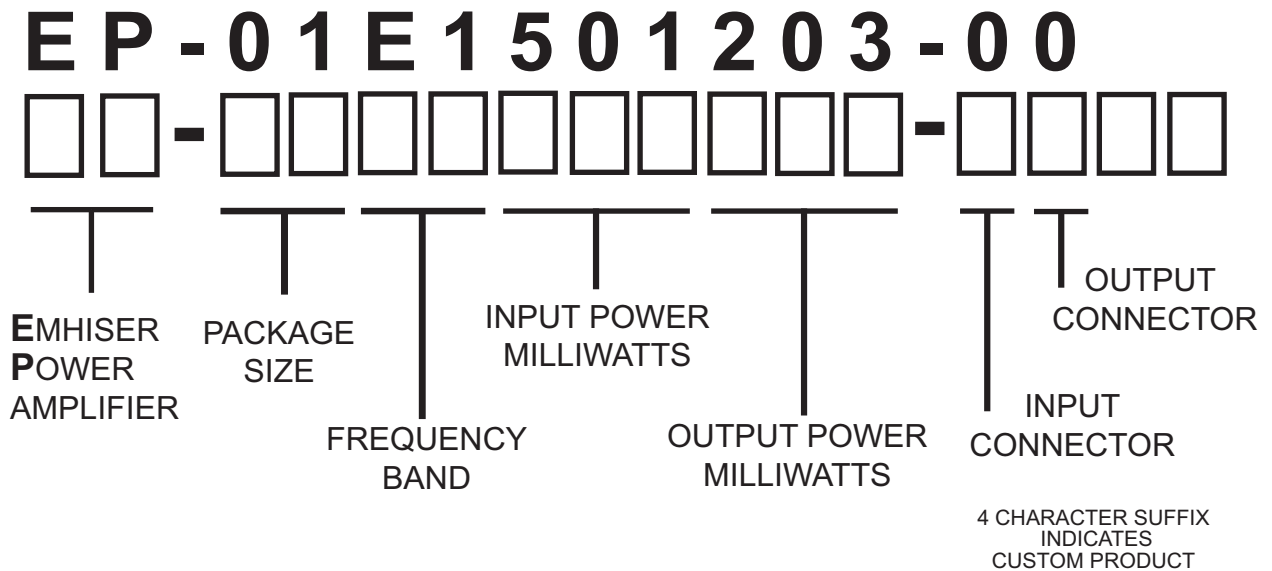
Code	Option
4	De-Emphasis
1	Subcarrier Demodulator
0	No Options



# Emhiser RF Power Amplifiers

## EP Series

### Model Number Breakdown



#### Package Size

Code	L	W	H
01	3.4"	1.25"	0.3"
02	3.5"	2.5"	0.3"
L3	6.0"	1.25"	0.36"
S3	2.5"	2.0"	0.66"
05	3.0"	2.0"	0.8"
06	3.0"	2.0"	1.0"
09	3.5"	2.5"	1.0"
11	3.5"	2.5"	1.31"
36	6.0"	4.0"	1.5"

#### Frequency Band

Code	Frequency Range
B2	406 to 450 Mhz
D1	1435 to 1540 Mhz
D2	1710 to 1850 MHz
E1	2200 to 2300 MHz
E2	2300 to 2400 MHz
EB	2200 to 2400 MHz
G1	4400 to 5000 Mhz

#### Input / Output Power

Code	Power
151	150 mW
502	5 W
203	20 W
etc...	

#### Input /Output Connectors

Code	Connector Type
0	SMA FEMALE
1	SMA MALE
2	TNC FEMALE
3	TNC MALE
4	N FEMALE
5	N MALE
6	BNC FEMALE
7	BNC MALE



# Emhiser Rackmount Decoders

## Model Number Breakdown

**E C D - 3 R 2 0 - 0 0**

□ □ □ - □ □ □ □ - □ □ □ □

EMHISER  
COMMAND  
DECODER

PACKAGE  
SIZE

ADDITIONAL OPTIONS

2 CHARACTER SUFFIX  
INDICATES  
STANDARD PRODUCT

4 CHARACTER SUFFIX  
INDICATES  
CUSTOM PRODUCT

### Package Size

Code	W	H
3R	19"	3.5"
5R	19"	5.25"
7R	19"	7.0"

NUMBER  
OF IRIG TONES  
UP TO 20



# Emhiser Rackmount Encoders

## Model Number Breakdown

